

TUBULAR FRAME WALL STRUCTURE FOR GEARGRID TURNOUT GEAR LOCKERS

PART 1 GENERAL

1.1 SECTION INCLUDES

- A. Design, fabrication and installation of Tubular Frame Wall structure as specified herein.

NOTE: GEARGRID TUBULAR FRAME WALL STRUCTURES ARE DESIGNED FOR USE WITH GEARGRID WALL MOUNT LOCKERS ONLY. GEARGRID ASSUMES NO LIABILITY OR RESPONSIBILITY AND GIVES NO WARRANTY FOR USING FREE-STANDING TUBE WALL STRUCTURE WITH ANY OTHER LOCKER TYPES OR MANUFACTURER'S PRODUCT.

1.2 RELATED SECTIONS

- A. Section 10: Metal Wire Grid Lockers

1.3 SUBMITTALS

- A. Product Data: Submit manufacturer's product data and installation instructions.
- B. Shop Drawings: Submit manufacturer's shop drawings for each individual free-stranding unit of lockers.
- C. Samples: Submit manufacturer's standard color samples.
- D. Owner's Manual: Provide maintenance manual at closeout.
- E. Warranty: Submit manufacturer's standard warranty.

1.4 QUALITY ASSURANCE

- A. Manufacturer shall have a minimum of five years experience in the direct manufacture of lockers and wall mounting systems.
- B. Tubular Frame Wall Structure must be manufactured in United States of America.
- C. Installer shall have 5 years of experience in locker assembly.

1.5 DELIVERY, STORAGE AND HANDLING

- A: Delivery: Deliver materials to site in manufacturer's original, unopened containers with labels identifying product and manufacturer's name.
- B: Storage: Store materials in a clean dry area.
- C: Handling: Protect materials and finish during installation and handling to prevent damage.

PART 2 PRODUCTS

2.1 MANUFACTURER

- A. GearGrid LLC 670 SW 15th Street, Forest Lake, MN 55025. Toll-free 888-643-6694. Phone 651-464-4468. Fax 651-464-4780. Web site www.geargrid.com. Email sales@geargrid.com.

B. NO SUBSTITUTIONS PERMITTED

2.2 TUBULAR FRAME WALL STRUCTURE

A. Model: Tubular Frame Wall Structure Units

B. Tubular Frame Wall Structures are engineered specifically for each installation and are designed to ship in a knocked-down configuration for efficient shipping. Wall structure components are bolted together with hardware as supplied or identified.

C. Construction: Units shall be welded at all applicable joints. Forming of metal shall be completed by standard cold-forming operations. Use of fasteners will only be required to allow for knock-down shipping, securing units to mounting surface and on applicable accessories.

1. Vertical Posts: 4" x 4", .250" wall thickness ASTM A513 steel tube

2. Floor Mounting Plates: ½" steel plate welded to Vertical Posts. 3/8" mounting holes as needed.

Mounting plate hole configurations subject to locker layout

3. Horizontal Frames: 4" x 4", .1875" wall thickness ASTM A513 steel tube. Frames mechanically fastened to Vertical Posts with supplied or identified hardware.

a. Note: If PowerBars (Electric Raceway) are used, top Horizontal Frame will be 6" high x 4" wide, .1875" wall thickness steel tube

***NOTE: Overall height of Tubular Frame Wall is 86" except when PowerBar's are an included option. The Height when PowerBar's are included is 88.25"

2.4 FINISH

A. General: All system components excluding assembly and mounting hardware and stainless steel components are to receive the standard finish.

B. Standard Finish: Components to be cleaned using a phosphatized bath, clear water rinse and electro-statically coated with a durable TGIC powder coating.

C. Color: _____

Part 3 EXECUTION

3.1 EXAMINATION

A. Examine areas to receive Tubular Frame Wall Structures. Notify architect if areas are not acceptable. Do not begin installation until unacceptable conditions have been corrected.

3.2 INSTALLATION

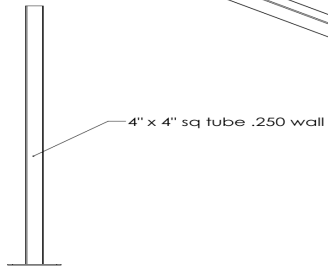
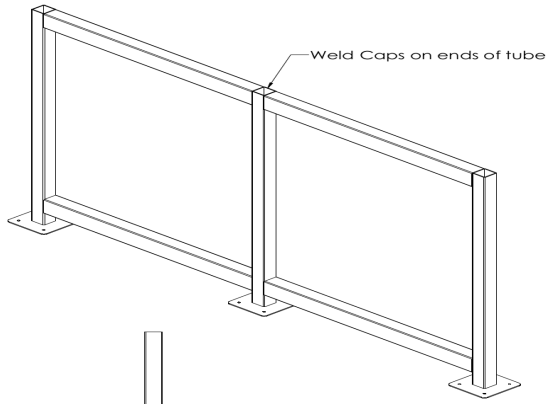
A. Assemble free-standing lockers in accordance with manufacturer's instructions.

B. Use manufacturer's hardware for assembly.

NOTE: SEE SAMPLE DRAWINGS NEXT PAGE

**TUBULAR FRAME WALL STRUCTURE – EXAMPLE DRAWINGS
FOR REFERENC ONLY**





5

